

REFRIGERATOR OWNER'S MANUAL

Warranties

Full Year Warranty On Refrigerator.

For one year from the date of purchase, when this refrigerator is operated and maintained according to instructions attached to or furnished with the product, Sears will repair this refrigerator, free of charge, if defective in material or workmanship.

Full Five-Year Warranty On Sealed Refrigeration System.

For five years from the date of purchase, when this refrigerator is operated and maintained according to owner's instructions attached to or furnished with the product, Sears will repair the sealed system (consisting of refrigeration, connecting tubing and compressor), free of charge, if defective in material or workmanship. The above warranty coverage applies only to refrigerators which are used for storage of food for private household purposes.

Warranty Service Is Available By Contacting The Nearest Sears Service Center/Department In The United States.

This warranty applies only while this product is in use in the United States. This warranty gives you specific legal rights, and you may also have other rights which vary from state to state.

Service

Sears Is At Your Service.

Your Kenmore has added value when you consider that Sears has nationwide service units staffed by Sears-trained technicians ... professional technicians specifically trained to service SEARS appliances, having the parts, tools and equipment to ensure that we meet our pledge to you ... "We Service What We Sell."

Add To The Value Of Your Kenmore, Buy A Sears Maintenance Agreement.

Sears Kenmore refrigerators are designed, built and tested for years of dependable use. Yet any modern appliance may need service from time to time. The Sears warranty plus the Sears maintenance agreement give protection from unexpected repair bills. Contact your salesman or nearest service center for details.

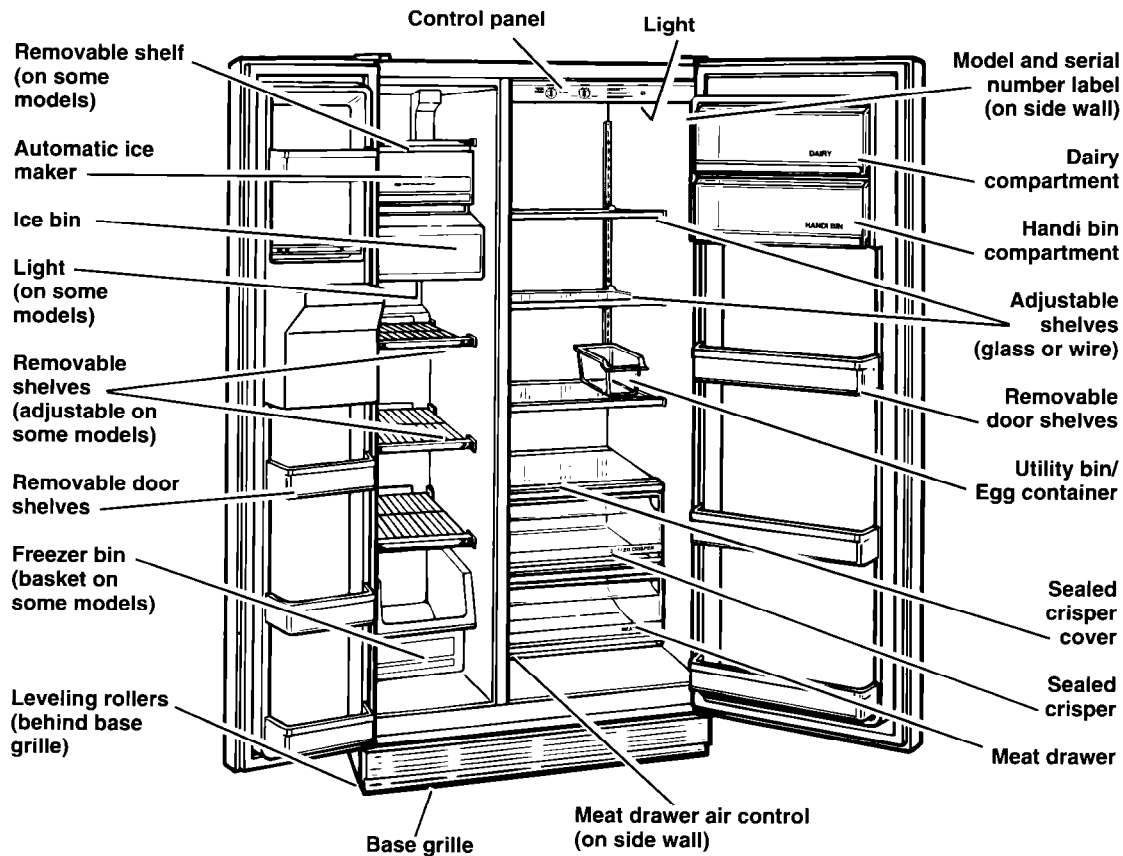
For future use, please record the model number, serial number and date you purchased your Kenmore refrigerator in the spaces provided below:

Model Number _____

Serial Number _____

Date Purchased _____

Parts and Features



Please read this Owner's Manual before using your refrigerator. This manual explains how to start your refrigerator, clean it, move shelves and adjust controls. It also tells you what new sounds to expect from your refrigerator.

Treat your new refrigerator with care. Use it only to do what home refrigerators are designed to do.

Remove the sales labels and tape before using the refrigerator.

To remove any remaining glue:

- Rub briskly with thumb to make a ball, then remove.

OR

- Soak area with liquid hand dishwashing detergent before removing glue as described above. Do not use sharp instruments, rubbing alcohol, flammable fluids or abrasive cleaners. See "Important Safety Instructions" on page 2.

NOTE: Do not remove any permanent instruction labels inside your refrigerator. Do not remove the Tech sheet fastened under the refrigerator at the front.

Contents

	Page		Page
Important Safety Instructions	2	Removing the base grille	8
Before Using Your Refrigerator	3	Changing the light bulbs	9
Using Your Refrigerator	4	Ice dispensing system	10
Setting the controls	4	Automatic ice maker	10
Changing the control settings	4	Removing the ice maker storage bin	11
Air balance control	5	Common dispenser and	
Thermostat control	5	ice maker problems	12
Light switch	5	Sounds you may hear	12
Adjusting the refrigerator shelves	6	Energy saving tips	12
Removing the sealed crisper and cover	6	Cleaning Your Refrigerator	13
Removing the meat drawer and cover	7	Food Storage Guide	14
Adjusting the meat drawer temperature	7	Caring For Your Refrigerator	15
Removing the door shelves	7	Before You Call For Service	16
Removing the freezer shelves	8	Removing The Doors	17
Removing the freezer bin	8		

Important Safety Instructions

⚠ WARNING

To reduce the risk of fire, electrical shock, or injury when using your refrigerator, follow basic precautions including the following:

- Read all instructions before using the refrigerator.
- Child entrapment and suffocation are not problems of the past. Junked or abandoned refrigerators are still dangerous ... even if they will “just sit in the garage a few days.”
If you are getting rid of your old refrigerator, do it safely. Please read the enclosed safety booklet from the Association of Home Appliance Manufacturers. Help prevent accidents.
- Never allow children to operate, play with, or crawl inside the refrigerator.
- Never clean refrigerator parts with flammable fluids. The fumes can create a fire hazard or explosion.

• FOR YOUR SAFETY •

DO NOT STORE OR USE GASOLINE OR OTHER FLAMMABLE VAPORS AND LIQUIDS IN THE VICINITY OF THIS OR ANY OTHER APPLIANCE. THE FUMES CAN CREATE A FIRE HAZARD OR EXPLOSION.

It is your responsibility to be sure your refrigerator:

- is installed and leveled on a floor that will hold the weight, and in an area suitable for its size and use.
- is connected only to the proper kind of outlet, with the correct electrical supply and grounding. (Refer to the Electrical Requirements and Grounding Instructions Sheet.)
- is used only to do what home refrigerators are designed to do.
- is not near an oven, radiator or other heat source.
- is properly maintained.
- is out of the weather.
- is used in an area where the room temperature will not fall below 55°F (13°C).
- is not used by anyone unable to operate it properly.
- is not loaded with food before it has time to get properly cold.

– SAVE THESE INSTRUCTIONS –

Before Using Your Refrigerator

IMPORTANT SAFETY INSTRUCTIONS • BEFORE USING YOUR REFRIGERATOR

Clean it

Clean your refrigerator before using it. See cleaning instructions on page 13.

Plug it in

Recommended Grounding Method

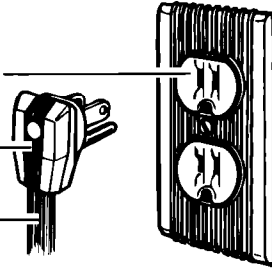
A 115 Volt, 60 Hz., AC only, 15 or 20 ampere fused and properly grounded electrical supply is required. It is recommended that a separate circuit serving only this appliance be provided. Use a receptacle which cannot be turned off with a switch or pull chain. Do not use an extension cord.

See Electrical Requirements and Grounding Instructions Sheet in your Literature Package.

3-prong grounding type wall receptacle

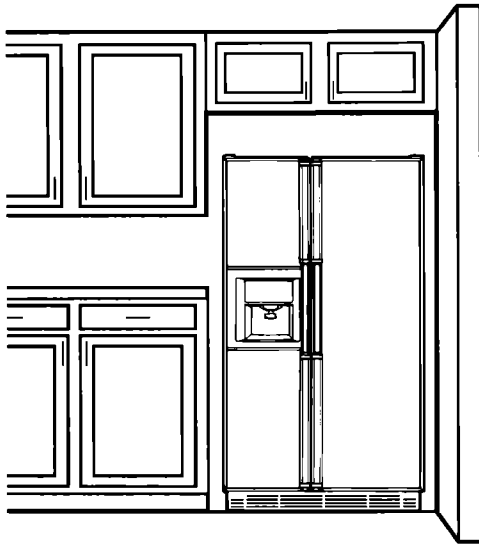
3-prong grounding plug

Refrigerator power cord



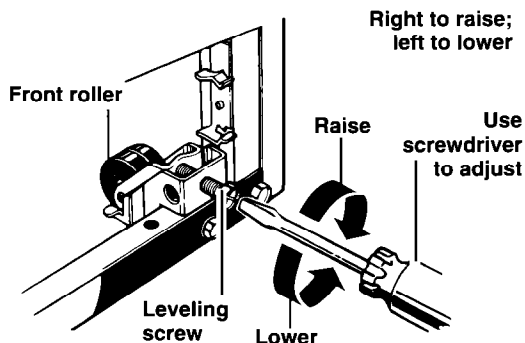
Install properly

1. Allow ½ inch (1.25 cm) space on each side and at the top of the refrigerator for ease of installation.
2. If the refrigerator is to be against a wall, you must leave extra space on the hinge side so the door can be opened wider. **On some models, a minimum of 1½ inch (2.9 cm) between the door and wall is required.**
3. The refrigerator back can be flush against the wall.
4. If your refrigerator has an ice maker, make sure ice maker water supply has been connected. Refer to Installation Instructions.

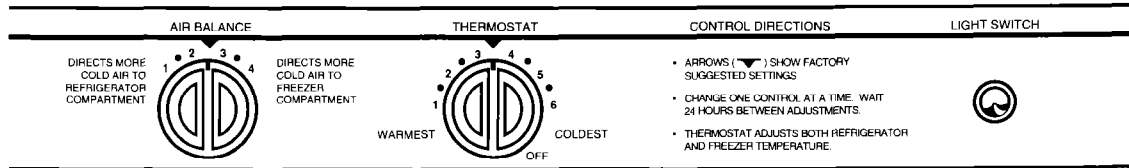


Level refrigerator-freezer

1. Remove the base grille. (See page 8.)
2. To raise front, turn screw in direction shown.
3. To lower front, turn screw in direction shown.
4. Check with level.
5. Replace base grille. (See page 8.)



Using Your Refrigerator



Setting the controls

All the controls for the unit are in the refrigerator. When the unit is plugged in for the first time:

1. Turn the Thermostat Control to ▼ (arrow).
2. Turn the Air Balance Control to ▼ (arrow).

Give the refrigerator time to cool down completely before adding food. (This may take at least 24 hours.)

These settings should be about right for normal household refrigerator use.

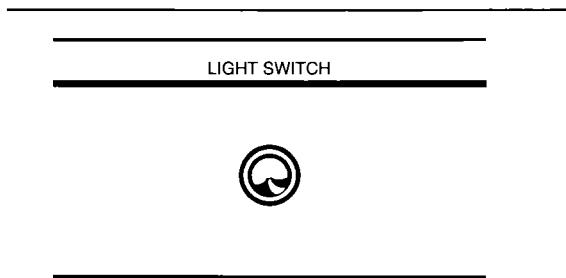
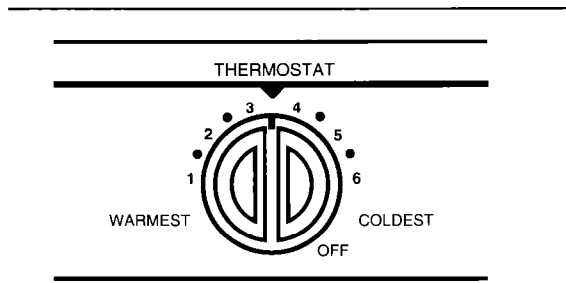
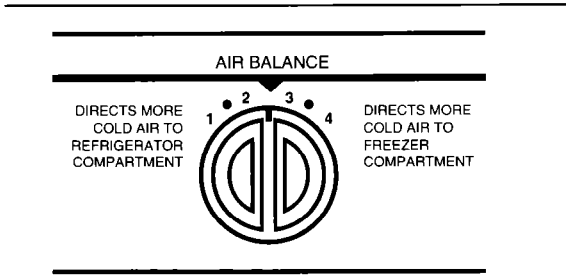
Changing the control settings

If you need to adjust temperatures in refrigerator or freezer, use the settings listed in the chart below as a guide.

- Adjust the Thermostat Control first.
- Wait at least 24 hours between adjustments.
- Then adjust the Air Balance Control if needed.

The controls will be set right when milk or juice is as cold as you like and when ice cream is firm.

CONDITION:	REASON:	RECOMMENDED CONTROL SETTINGS:	
		THERMOSTAT	AIR BALANCE
If Refrigerator Section is TOO WARM	Door opened often Large amount of food added Room temperature too warm	5	▼
If Freezer Section is TOO WARM	Door opened often Large amount of food added Very cold room temperature (can't cycle often enough)	▼	3
If Refrigerator Section is TOO COLD	Controls not set correctly for your conditions	2	▼
If ICE isn't MADE FAST ENOUGH	Heavy ice usage Very cold room temperature (can't cycle often enough)	▼	3
If BOTH SECTIONS are TOO WARM	Door opened often Large amount of food added Very warm or very cold room temperatures	5	3



Air balance control

The Air Balance Control divides the amount of cold air entering the compartments. The ▼ (arrow) shows the factory direct setting.

- Settings 1 and 2 direct more cold air into the refrigerator compartment.
- Settings 3 and 4 direct more cold air into the freezer compartment.

Thermostat control

The Thermostat Control adjusts both the refrigerator and freezer compartment temperatures. The ▼ (arrow) shows the factory suggested setting.

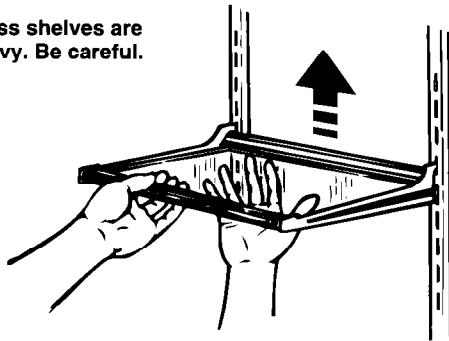
- Settings 1-3 make the overall temperature in both compartments warmer.
- Settings 4-6 make the overall temperature in both compartments colder.
- OFF stops all cooling action, but **does not** disconnect the refrigerator from the power supply.

Light switch

The Light Switch turns the cabinet light ON when you open the door and turns the light OFF automatically when you close the door.

Using Your Refrigerator Continued

Glass shelves are heavy. Be careful.



Adjusting the refrigerator shelves

Shelves can be adjusted to match the way you use your refrigerator. Glass shelves are strong enough to hold bottles, milk and other heavy food items.

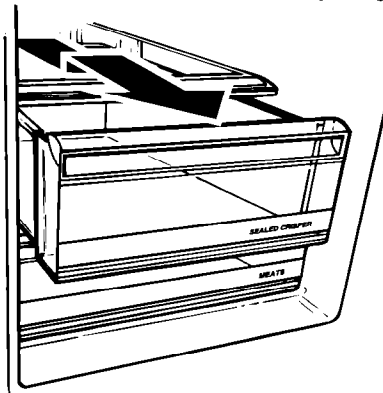
To remove glass or wire shelves:

1. Remove items from shelf.
2. Tilt up at front.
3. Lift up at back.
4. Pull shelf straight out.

To replace glass or wire shelves:

1. Guide the rear hooks into the slots in the shelf supports.
2. Tilt up front of shelf until hooks drop into slot. Lower front of shelf to level position.

Pull out to the stop, lift the front and pull again.

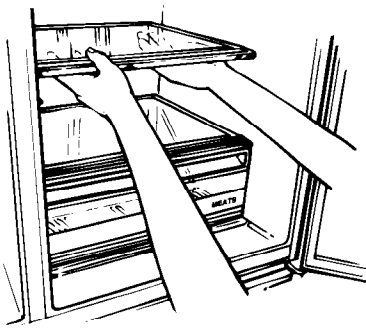


Removing the sealed crisper and cover

To remove the sealed crisper:

1. Slide sealed crisper straight out to the stop.
2. Lift the front.
3. Slide out the rest of the way.
4. Replace in reverse order.

Remove glass insert, lift the frame front, then the back.



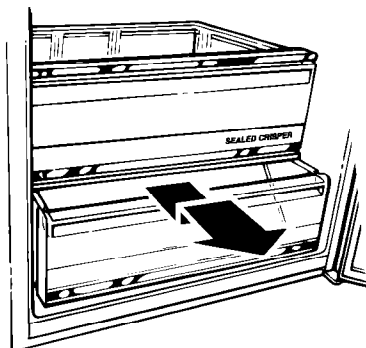
To remove the cover:

1. Push up glass insert from bottom, then slide out with both hands.
2. Lift front of cover frame.
3. Lift cover frame up and out.

To replace the cover:

1. Fit back of cover frame into notch supports on walls of refrigerator, then lower into place.
2. Slide back of glass insert into place, then lower front.

Pull out to the stop, lift the front and pull again.



Removing the meat drawer and cover

To remove the meat drawer:

1. Slide the meat drawer out to the stop.
2. Lift the front.
3. Slide the drawer out the rest of the way.
4. Replace in reverse order.

To remove the cover:

1. Remove sealed crisper and meat drawer.
2. Lift front of cover off supports.
3. Lift cover up and out.

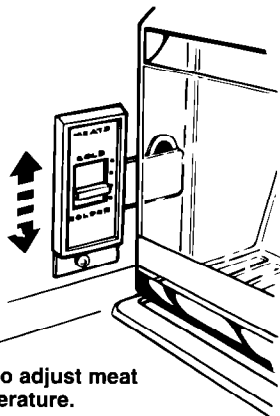
To replace the cover:

1. Fit back of cover into notch supports on walls of refrigerator cabinet.
2. Lower front into place.
3. Replace sealed crisper and meat drawer.

Adjusting the meat drawer temperature

Cold air flows against the meat drawer through an opening between the freezer and refrigerator. This helps keep the meat drawer colder than the rest of the refrigerator for best storage of meats.

Slide the control to let more or less cold air through.



Use control to adjust meat drawer temperature.

Removing the door shelves

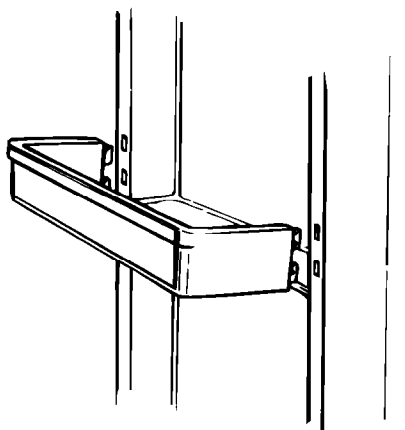
Shelves can be removed for easier cleaning.

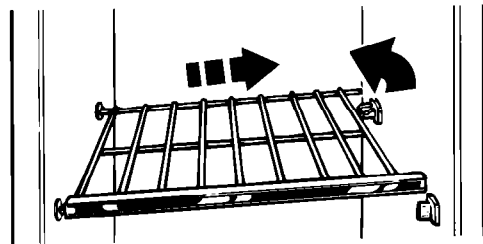
To remove a shelf:

1. Grasp shelf at both ends.
2. Lift shelf up and pull out.

To replace a shelf:

1. Insert shelf hooks into guides on both sides of the door.
2. Push shelf down until it locks into place.





Lift the right side,
then slide out.

Removing the freezer shelves

To remove a shelf:

1. Lift right side of shelf off supports.
2. Slide left side of shelf out of support holes.
3. Replace in reverse order.

To adjust a shelf (on some models):

1. Remove shelf.
2. Remove supports by sliding upward.
3. Replace supports on desired level.
4. Replace shelf.

NOTE: The cup-shaped supports go in the back of the freezer cabinet.



Pull out to the stop,
lift the front and
pull again.

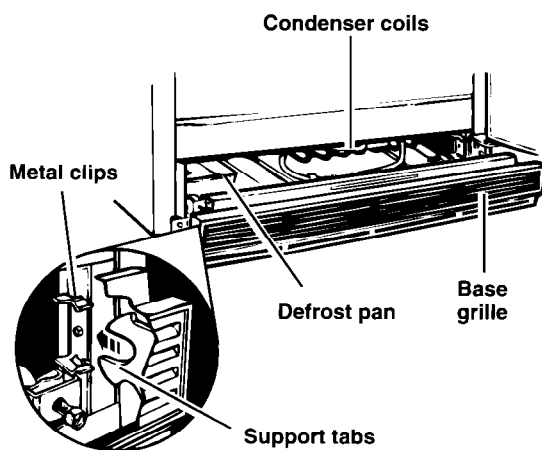
Removing the freezer bin (or basket)

To remove the bin (or basket):

1. Slide out to the stop.
2. Lift the front to clear the stop.
3. Slide out the rest of the way.

To replace the bin (or basket):

1. Place on the slides of cabinet.
2. Make sure the stops clear the front of the slides.
3. Slide in all the way.



Removing the base grille

To remove the grille:

1. Open the doors.
2. Pull base grill forward to release the support tabs from the metal clips.
3. **Do not remove Tech Sheet** fastened behind grille.

To replace the grille:

1. Line up grille support tabs with metal clips.
2. Push firmly to snap into place.
3. Close the doors.

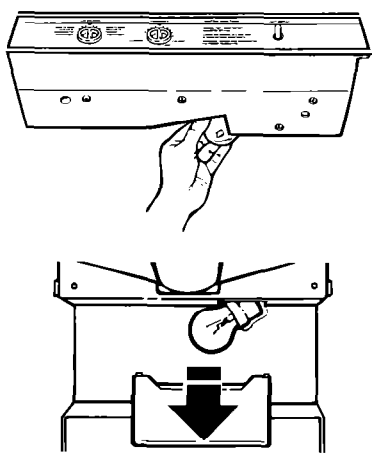
See cleaning instructions for defrost pan and condenser coils on page 13.

Changing the light bulbs

⚠ WARNING

Electrical Shock Hazard

Before removing a light bulb, either unplug the refrigerator or disconnect the electricity leading to the refrigerator at the main power supply. Failure to do so could result in electrical shock or personal injury.

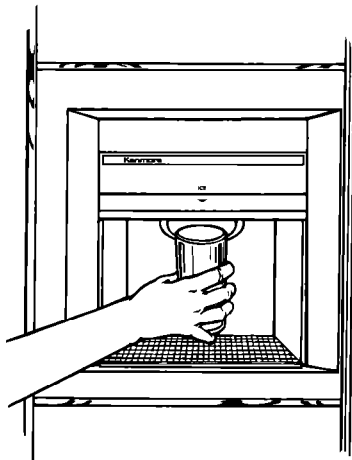


To change refrigerator light:

1. Disconnect refrigerator from power supply.
2. Reach behind the Control Panel to find bulb.
3. Replace bulb with a 40-watt appliance bulb.
4. Reconnect refrigerator to power supply.

To change light below ice bin: (on some models)

1. Disconnect refrigerator from power supply.
2. Push in sides of light shield until it snaps free.
3. Replace bulb with a 40-watt appliance bulb.
4. Replace the light shield.
5. Reconnect refrigerator to power supply.



Ice dispensing system

⚠ WARNING

Personal Injury Hazard

Tumbling ice and pressure on a fragile glass can break it. Do not use a fragile glass when dispensing ice or water. Doing so could result in personal injury or breakage.

Ice is dispensed from the ice maker storage bin in the freezer. When the dispenser bar is pressed, a trapdoor opens in a chute between the dispenser and the ice bin. Ice is moved from the bin and falls through the chute. When the dispenser bar is released, a buzzing sound may be heard for a few seconds as the trapdoor closes.

The dispensing system will not operate when the freezer door is open.

NOTE: Large amounts of ice should be taken from the bin, not through the dispenser. The small tray beneath the dispenser is designed to catch small chips of ice. There is no drain in this tray. Do not leave large amounts of melting ice in it or pour water into it.

To dispense ice:

1. Press a **sturdy** glass against the ice dispenser bar. Hold the glass close to dispenser opening so ice does not fall outside of glass.
2. Remove the glass to stop dispensing.

NOTE: The first few batches of ice may have an off-taste from new plumbing and parts. Throw the ice away and make a new supply.

Automatic ice maker

Here are a few things you will want to know about your automatic ice maker:

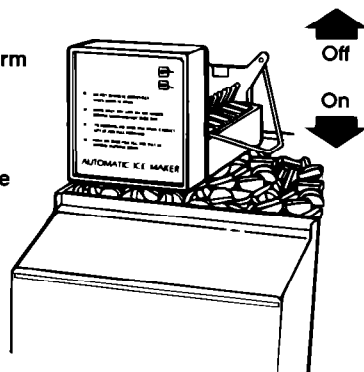
- The ON/OFF lever is a wire signal arm.
Down ... to make ice automatically.
Up ... to shut off the ice maker.

NOTE: Do not turn ice maker on until it is connected to the water supply.

- It is normal for ice crescents to be attached by a corner. They will break apart easily.
- The ice maker will not operate until the freezer is cold enough to make ice. This can take overnight.
- Good water quality is important for good ice quality. It is not recommended that the ice maker be connected to a softened water supply. Water softener chemicals, such as salt from a malfunctioning softener, can damage the ice maker mold and lead to poor ice quality. If a softened water supply cannot be avoided, it is important that the water softener be well maintained and operating properly.

Raise signal arm to stop ice maker.

Lower signal arm to start ice maker.

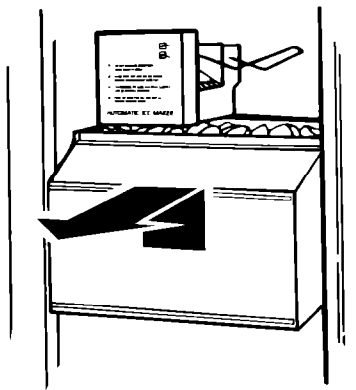
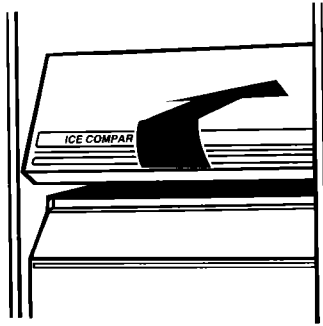


Removing ice maker storage bin

Remove, empty and clean the storage bin if:

- the ice dispenser has not, or will not, be used for a week or more.
- a power failure causes ice in the bin to melt and freeze together.
- the ice dispenser is not used regularly.

1. Pull the covering panel out from the bottom and slide it to the rear.



2. Lift the signal arm so it clicks into the OFF (up) position. Ice can still be dispensed, but no more can be made.
3. Lift the front of the storage bin and pull it out.
4. Empty the ice bin. Use hot or warm water to melt the ice if necessary. **Never use anything sharp** to break up ice in the bin. This can damage the bin and dispenser mechanism.
5. Wash with mild detergent. Rinse well. Do not use harsh or abrasive cleaners or solvents.
6. When replacing the bin, make sure it is pushed in all the way. Then push the signal arm down to the ON position to restart ice production.

Using Your Refrigerator Continued

Common dispenser and ice maker problems

PROBLEM	CAUSE	SOLUTIONS
Dispenser won't work	<ul style="list-style-type: none"> • Freezer door open 	<ul style="list-style-type: none"> • Close the freezer door.
Ice dispenser won't work	<ul style="list-style-type: none"> • Ice bin not properly installed • Wrong ice in bin • Dispenser not used for extended periods, causing ice cubes to melt together 	<ul style="list-style-type: none"> • Make sure bin is pushed in all the way. • Use only crescents from ice maker. Shake the bin occasionally to keep cubes separated and to obtain increased storage capacity. • Dump old ice and make a new supply.
Ice dispenser stops working	<ul style="list-style-type: none"> • Ice dispenser bar held in too long 	<ul style="list-style-type: none"> • Wait about 3 minutes for the dispenser motor to reset. • Large amounts of ice should be taken from the bin, not through the dispenser.
Off-taste or odor in ice	<ul style="list-style-type: none"> • Ice attracts airborne odors; old ice • Water quality • Foods not properly wrapped • Ice bin and freezer may need cleaning • Plumbing to ice maker • New ice maker 	<ul style="list-style-type: none"> • Dump old ice and make a new supply. Store excess ice in covered container. • Water containing minerals (such as sulfur) may require a filter to remove. • Wrap properly. See page 14. • Clean freezer and ice bin. See cleaning chart on page 13. • Follow Installation Instructions for proper ice maker water supply hook up. • The first few loads of ice from a new ice maker may have an off-taste. Dump ice and make a new supply.

Sounds you may hear

Your new refrigerator may make sounds that your old one didn't. Because the sounds are new to you, you might be concerned about them. Don't be. Most of the new sounds are normal. Hard surfaces like the floor, walls and cabinets can make the sounds seem louder.

The following describes the kinds of sounds that might be new to you, and what may be making them.

Slight hum, soft hiss:

You may hear the refrigerator's fan motor and moving air.

Clicking or snapping sounds:

The thermostat makes a definite click when the refrigerator stops running. It also makes a sound when the refrigerator starts. The defrost timer will click when the defrost cycle starts.

Water sounds:

When the refrigerator stops running, you may hear gurgling in the tubing for a few minutes after it stops. You may also hear defrost water running into the defrost water pan.

Ice maker sounds:

- trickling water
- thud (clatter of ice)

Because your refrigerator is equipped with an ice maker, you may hear buzzing (from the water valve), trickling water and the clatter of ice falling into the bin.

Running sounds:

Your refrigerator has a high-efficiency compressor and motor. It will run longer than older designs. It may even seem to run most of the time.

Energy saving tips

You can help your refrigerator use less electricity.

- Check door gaskets for a tight seal. Level the cabinet to be sure of a good seal.
- Clean the condenser coils regularly.
- Open the door as few times as possible. Think about what you need before you open the door. Get everything out at one time. Keep food organized so you won't have to search for what you want. Close door as soon as food is removed.
- Go ahead and fill up the refrigerator, but don't overcrowd it so air movement is blocked.
- It is a waste of electricity to set the refrigerator and freezer to temperatures colder than they need to be. If ice cream is firm in the freezer and drinks are as cold as your family likes them, that's cold enough.
- Make sure your refrigerator is not next to a heat source such as a range, water heater, furnace, radiator or in direct sunlight.

Cleaning Your Refrigerator

Both the refrigerator and freezer sections defrost automatically. But both should be cleaned about once a month to help prevent odors from building up. Spills should be wiped up right away.

To clean your refrigerator, turn the Thermostat Control to OFF, unplug it, take out all removable parts and clean the refrigerator according to the following directions.

USING YOUR REFRIGERATOR • CLEANING YOUR REFRIGERATOR

PART	WHAT TO USE	HOW TO CLEAN
Outside cabinet	<ul style="list-style-type: none"> Sponge, cloth or paper towel Mild detergent Warm water Appliance wax (or good auto paste wax) 	<ul style="list-style-type: none"> Wash outside of cabinet. Do not use abrasive or harsh cleaners. Rinse and dry thoroughly. Wax painted metal surfaces at least twice a year. Apply wax with a clean, soft cloth. <p>Waxing painted metal surfaces provides rust protection. Do not wax plastic parts.</p>
Handles	<ul style="list-style-type: none"> Soft, clean sponge or soft, clean cloth Mild detergent Warm water 	<ul style="list-style-type: none"> Wash. Rinse and dry thoroughly. <p>DO NOT USE abrasive or harsh cleaners or flammable fluids. They can scratch or damage material.</p>
Inside walls (freezer should be allowed to warm up so cloth won't stick)	<ul style="list-style-type: none"> Sponge, soft cloth or paper towel Baking soda or mild detergent Warm water 	<ul style="list-style-type: none"> Wash with mixture of warm water and <ul style="list-style-type: none"> mild detergent, or baking soda (2 tablespoons [26 g] to 1 quart [.95 L] of water). Rinse and dry thoroughly.
Door liners and gaskets	<ul style="list-style-type: none"> Sponge, soft cloth or paper towel Mild detergent Warm water 	<ul style="list-style-type: none"> Wash. Rinse and dry thoroughly. <p>DO NOT USE cleaning waxes, concentrated detergents, bleaches or cleaners containing petroleum on plastic parts.</p>
Plastic parts (external covers and panels and removable shelves, drawer covers, sealed crisper, meat drawer, etc.)	<ul style="list-style-type: none"> Soft, clean sponge or soft, clean cloth Mild detergent Warm water 	<ul style="list-style-type: none"> Wash by hand. Rinse and dry thoroughly. <p>DO NOT USE paper towels, window sprays, scouring cleansers or flammable fluids. These can scratch or damage material. See "Important Safety Instructions" on page 2.</p>
Defrost pan	<ul style="list-style-type: none"> Soft, clean sponge or soft, clean cloth Mild detergent Warm water 	<ul style="list-style-type: none"> Remove base grille. (See page 8.) To remove defrost pan, lift pan over wire brace (remove tape; if any). Wash. Rinse and dry thoroughly. Replace with notched corner to the rear. Push it in all the way. Make sure defrost drain tube is pointing into pan. Replace base grille.
<div style="border: 2px solid black; padding: 10px;"> <p style="text-align: center;">⚠ WARNING</p> <p style="text-align: center;">Personal Injury Hazard</p> <p>Refrigeration system tubes are located near the defrost pan and can become hot. Remove and install defrost pan carefully. Failure to do so could cause personal injury.</p> </div>		
Condenser coils	<ul style="list-style-type: none"> Vacuum cleaner with extended narrow attachment 	<ul style="list-style-type: none"> Remove base grille. Vacuum coils at least every other month. Replace base grille.
Floor under refrigerator	<ul style="list-style-type: none"> Floor cleaners 	<ul style="list-style-type: none"> Roll refrigerator out only as far as water supply line allows. Clean floor. Roll refrigerator back into place. Check to see if the refrigerator is level.

Food Storage Guide

There is a correct way to package and store refrigerated or frozen food. To keep food fresher, longer, take the time to study these recommended steps.

Storing fresh food

Food placed in the refrigerator should be wrapped or stored in air and moisture proof material. This prevents food odor and taste transfer throughout the refrigerator. For dated products, check code date to ensure freshness.

Leafy vegetables

Remove store wrapping and trim or tear off bruised and discolored areas. Wash in cold water and drain. Place in plastic bag or plastic container and store in sealed crisper. Cold, moist air helps keep leafy vegetables fresh and crisp.

Vegetables with skins (carrots, peppers)

Store in sealed crisper, plastic bags or plastic container.

Fruit

Wash, let dry and store in refrigerator in plastic bags or sealed crisper. Do not wash or hull berries until they are ready to use. Sort and keep berries in their store container in the sealed crisper or store in a loosely closed paper bag on a refrigerator shelf.

Meat

Most meat can be stored in original wrapping as long as it is air and moisture proof. Rewrap if necessary. See the following chart for storage times.

Storage chart for fresh and cured meat*

TYPE	APPROXIMATE TIME (DAYS)
Chicken	1 to 2
Ground beef	1 to 2
Steaks and roasts	3 to 5
Cured meats	7 to 10
Bacon	5 to 7
Cold cuts	3 to 5
Variety meats	1 to 2

*If meat is to be stored longer than the times given, follow the directions for freezing.

NOTE: Fresh fish and shellfish should be used the same day as purchased.

Eggs

Store without washing in the original carton on an interior shelf. On some models, an egg container has been provided for your convenience.

Milk

Wipe milk containers. For best storage, place milk on interior shelf.

Butter or margarine

Keep opened butter in covered dish or closed compartment. When storing an extra supply, wrap in freezer packaging and freeze.

Cheese

Store in the original wrapping until you are ready to use it. Once opened, rewrap tightly in plastic wrap or aluminum foil.

Leftovers

Cover leftovers with plastic wrap or aluminum foil. Plastic containers with tight lids can also be used.

Storing frozen food

The freezer section is designed for storage of commercially frozen food and for freezing food at home. For further information about preparing food for freezing, contact your local Cooperative Extension Service or check a freezer guide or cookbook.

Packaging

The secret of successful freezing is in the packaging. The way you close and seal the package must not allow air or moisture in or out. Packaging done in any other way could cause food odor and taste transfer throughout the refrigerator and drying of frozen food.

Packaging recommended for use:

- Rigid plastic containers with tight-fitting lids
- Straight-sided canning/freezing jars
- Heavy-duty aluminum foil
- Plastic-coated paper
- Non-permeable plastic wraps (made from a saran film)

Follow package or container instructions for proper freezing methods.

Do not use:

- Bread wrappers
- Non-polyethylene plastic containers
- Containers without tight lids
- Waxed paper
- Waxed-coated freezer wrap
- Thin, semi-permeable wrap

The use of these wrappings could cause food odor and taste transfer and drying of frozen food.

Freezing

Do not expect your freezer to quick-freeze any large quantity of food. Put no more unfrozen food into the freezer than will freeze within 24 hours. (No more than 2 to 3 pounds of food per cubic foot of freezer space.) Leave enough space for air to circulate around packages. Be careful to leave enough room at the front so the door can close tightly.

Storage times will vary according to the quality of the food, the type of packaging or wrap used (air and moisture proof) and the storage temperature (which should be 0°F [-17.8°C]). For further information about food storage times, contact your local Cooperative Extension Service or check a freezer guide or reliable cookbook.

Caring For Your Refrigerator

Vacation and moving care

Short vacations

No need to shut off the refrigerator if you will be away for less than four weeks. Use up perishables; freeze other items.

1. Turn off your ice maker by raising signal arm.
2. Shut off the water supply to the ice maker.
3. Empty the ice bin.

Long vacations

Remove all the food if you are going for a month or more. Turn off the water supply to the ice maker at least one day ahead. When the last load of ice drops, turn off the ice maker.

Unplug the refrigerator. Clean it, rinse well and dry. Tape rubber or wood blocks to the tops of both doors to prop them open far enough for air to get in. This will keep odor and mold from building up.

WARNING

Personal Injury Hazard

Do not allow children to climb on, play near or climb inside the refrigerator when the doors are blocked open. They may become injured or trapped.

To restart refrigerator, see "Using Your Refrigerator" on page 4.

Moving

Shut off the ice maker water supply a day ahead of time. Disconnect the water line. After the last supply of ice drops, lift the signal arm to turn off the ice maker.

Remove all food. Pack frozen food in dry ice. Unplug the refrigerator and clean it thoroughly.

Take out all removable parts. Wrap all parts well and tape them together so they don't shift and rattle. Screw in the leveling rollers; tape the doors shut; and tape the electric cord to the cabinet.

When you get to your new home, put everything back and refer to page 3. Don't forget to reconnect the water supply line to ice maker.

Power interruptions

If electricity goes off, call the power company. Ask how long power will be off.

1. If service is to be interrupted 24 hours or less, **keep both doors closed**. This will help foods stay frozen.
2. If service is to be interrupted longer than 24 hours:
 - (a) Remove all frozen food and store in a frozen food locker.

OR

- (b) Place 2 lbs. (0.9 kg) of dry ice in freezer for every cubic foot of freezer space. This will keep food frozen for 2 to 4 days. Wear gloves to protect your hands from dry ice burns.
 - (c) If neither a food locker nor dry ice is available, use or can perishable food at once.
3. A full freezer will stay cold longer than a partly filled one. A freezer full of meat will stay cold longer than a freezer full of baked goods. If food contains ice crystals, it may be safely refrozen, although the quality and flavor may be affected. If the condition of the food is poor or if you feel it is unsafe, dispose of it.

Before You Call For Service

Performance problems often result from little things you can find and fix yourself without tools of any kind.

If your refrigerator will not operate:

- Is the power supply cord plugged into a live circuit with proper voltage? (See page 3.)
- Have you checked your home's main fuses or circuit breaker box?
- Is the Thermostat Control ON?

If there is a rattling or jingling noise or unfamiliar sounds:

- Is something on top of or behind the refrigerator making noise when the refrigerator is running?
- New features on your new refrigerator make new sounds. You may be hearing air flowing from the fans, timer clicks for the defrost cycle, or defrost water draining in the defrost pan.

If your ice maker will not operate:

- Has the freezer had enough time to get cold? With a new refrigerator, this might take overnight.
- Is the signal arm ON ... in the down position?
- Is the water valve turned on? Is water getting to the ice maker?

If the lights do not work:

- Have you checked your home's main fuses or circuit breaker box?
- Is the power supply cord plugged in to a live circuit with the proper voltage? (See page 3.)

If a bulb is burned out:

- See instructions for changing light bulbs on page 9. Use appliance bulbs only.

If the motor seems to run too much:

- Is the condenser free of dust and lint?
- On hot days, or if the room is warm, the motor naturally runs longer.
- If the door has been opened a lot, or if a large amount of food has been put in, the motor will run longer to cool down the interior.

Remember:

Motor running time depends on different things: number of door openings, amount of food stored, temperature of the room, setting of the controls.

Your new refrigerator may be larger than your old one so it has more space to be cooled. It also has a regular freezer instead of a frozen food compartment. All this means better refrigeration and may require more running time than your old one.

Removing The Doors

THIS PAGE WILL TELL YOU HOW TO REMOVE THE DOORS WITHOUT DAMAGING THE WATER LINE OR ELECTRICAL WIRING IN THE DOOR HINGES.

BEFORE YOU BEGIN, open the doors and remove the base grille at the bottom of the refrigerator.

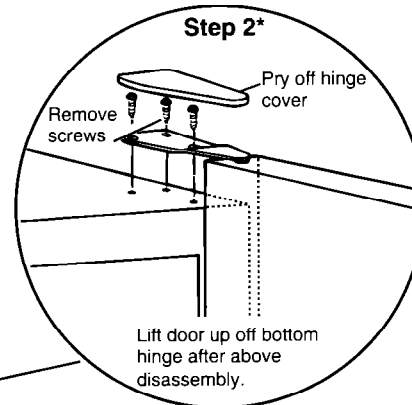
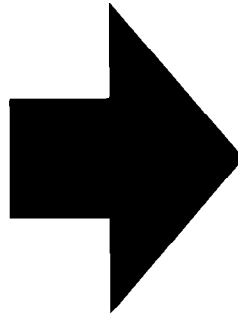
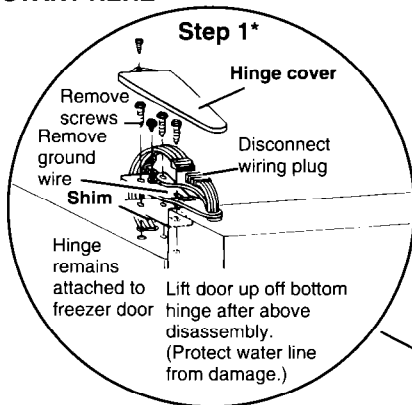
TOOLS NEEDED: 2 adjustable wrenches, phillips screwdriver, 1/4" and 5/16" hex-head socket wrenches and a punch or awl.

⚠ WARNING

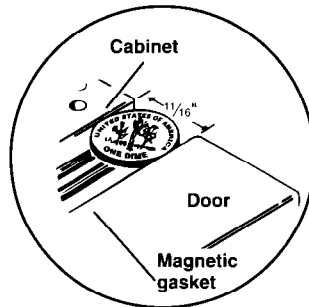
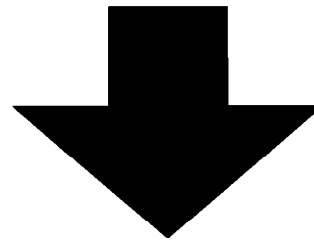
Electrical Shock Hazard

Disconnect refrigerator from the main power supply before removing the doors. Failure to do so could result in electrical shock or personal injury.

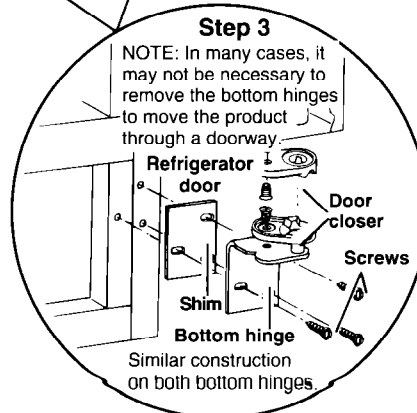
START HERE



*HINGE ALIGNMENT TIP: Trace around hinge before removing. This will ensure that spacing is the same as when shipped from the factory.



Reinstall doors by following these steps in reverse order. Close doors and check the door gap at several points on the hinge side.



HINT: Door closer on bottom of door may stick to door.

BEFORE YOU CALL FOR SERVICE • REMOVING THE DOORS

SEARS

2155726 C

SEARS, ROEBUCK AND CO., D 817 WA, Hoffman Estates, IL 60195

Printed in U.S.A.